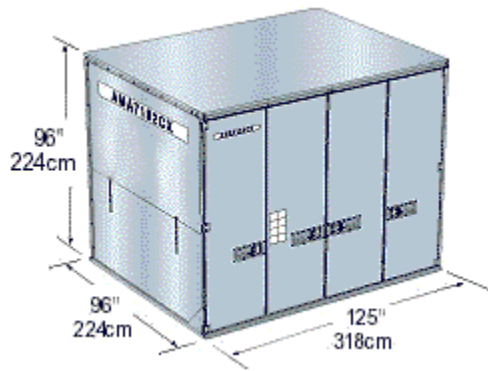


Container Specifications - Air containers (English)

AMA Container



ATA code

M1

Weight Limitation Inc. ULD Tare Weight

6,804kg

Tare Weight

360kg

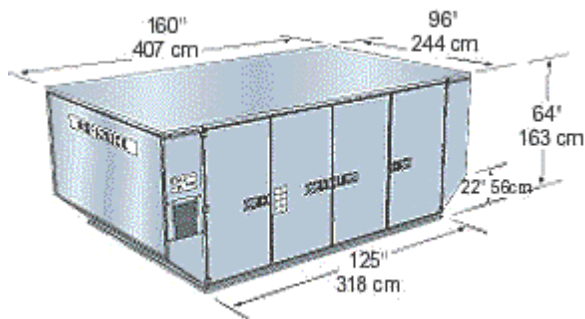
Internal Volume

621 cu. ft. 17.58 cbm

Loadable Aircraft Type

747F

AMF Container



ATA code

n/a

Weight Limitation Inc. ULD Tare Weight

5,035kg

Tare Weight

360kg

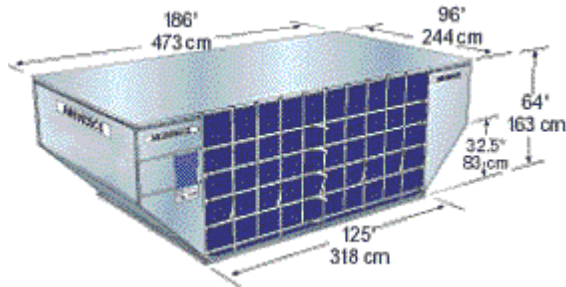
Internal Volume

516 cu. ft. 14.6 cbm

Loadable Aircraft Type

747, 747F, 777, Airbus

AMU Container



ATA code

LD39

Weight Limitation Inc. ULD Tare Weight

5,035kg

Tare Weight

290kg

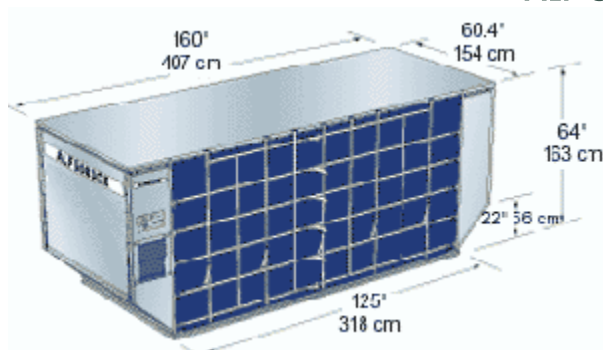
Internal Volume

557 cu. ft. 17.77 cbm

Loadable Aircraft Type

747, 747F

ALF Container



ATA code

LD6

Weight Limitation Inc. ULD Tare Weight

3,175kg

Tare Weight

155kg

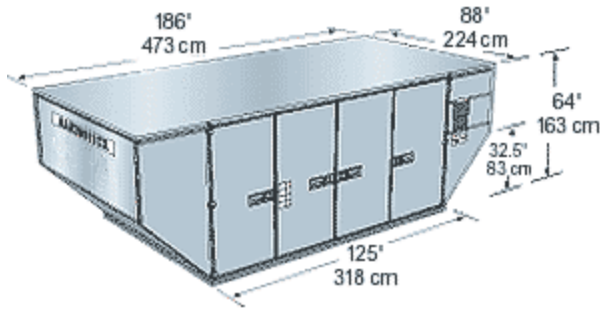
Internal Volume

310 cu. ft. 8.78 cbm

Loadable Aircraft Type

747, 747F, 777, Airbus

AAU Container



ATA code

LD29

Weight Limitation Inc. ULD Tare Weight

4,626kg

Tare Weight

355kg

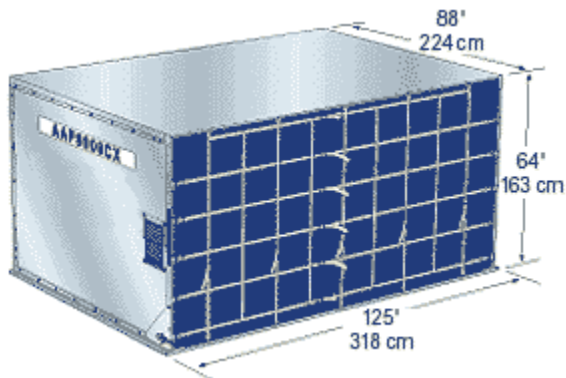
Internal Volume

505 cu. ft. 14.3 cbm

Loadable Aircraft Type

747, 747F

AAP Container



ATA code

LD9

Weight Limitation Inc. ULD Tare Weight

4,626kg

Tare Weight

222kg

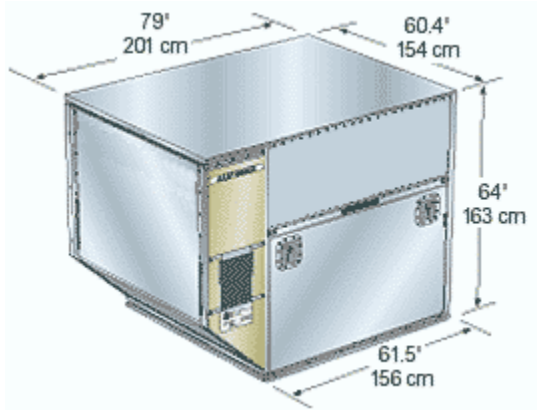
Internal Volume

370 cu. ft. 10.51 cbm

Loadable Aircraft Type

747, 747F, 777, Airbus

AKE Container



ATA code

LD3

Weight Limitation Inc. ULD Tare Weight

1,588kg

Tare Weight

100kg

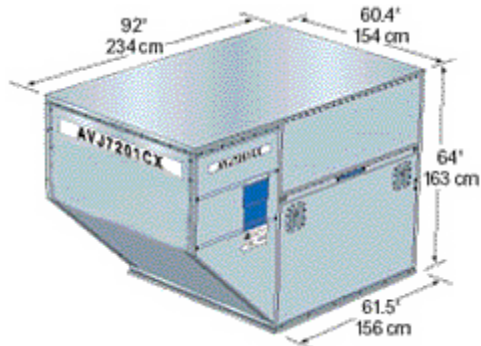
Internal Volume

152 cu. ft. 4.3 cbm

Loadable Aircraft Type

747, 747F, 777, Airbus

AVJ Container



ATA code

LD1

Weight Limitation Inc. ULD Tare Weight

1,588kg

Tare Weight

100kg

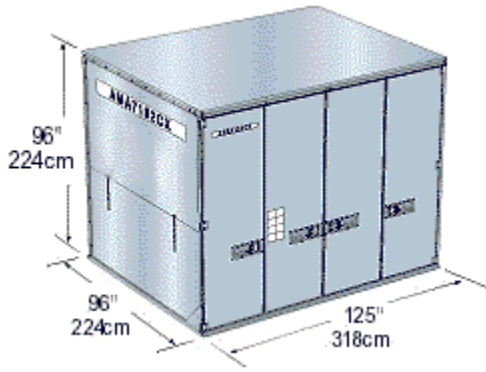
Internal Volume

162 cu. ft. 4.80 cbm

Loadable Aircraft Type

747m, 747F

AAP2 Container



ATA code

LD9

Weight Limitation Inc. ULD Tare Weight

4,626kg

Tare Weight

222kg

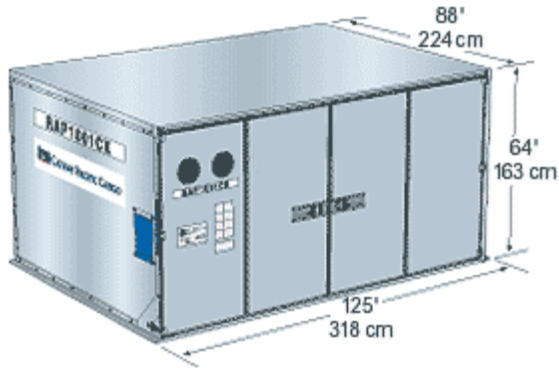
Internal Volume

371 cu. ft. 10.51 cbm

Loadable Aircraft Type

747, 747F, 777, Airbus

RAP Container



ATA code

LD9

Weight Limitation Inc. ULD Tare Weight

4,626kg

Tare Weight

330kg

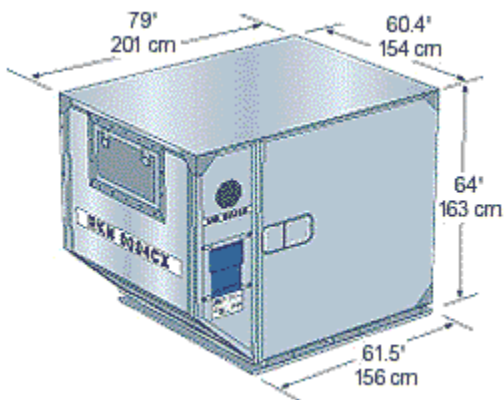
Internal Volume

352 cu. ft. 9.2 cbm

Loadable Aircraft Type

747, 747F, 777, Airbus

RKN Container



ATA code

LD3

Weight Limitation Inc. ULD Tare Weight

1,588kg

Tare Weight

190kg

Internal Volume

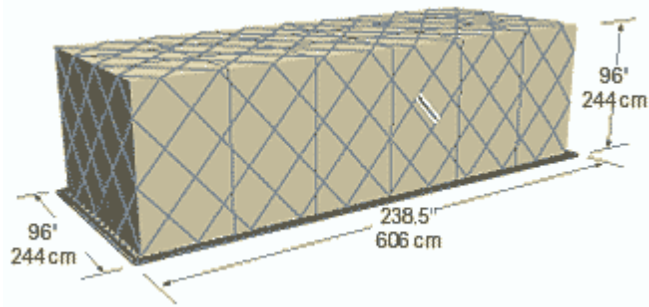
125 cu. ft. 3.55 cbm

Loadable Aircraft Type

747, 747F, 777, Airbus

Aircraft Pallet Specifications

P7E, PGA Pallet



Size

Base: 96" x 238.5" Height: 96" (Q6 Contour),
118" (Q7 Contour)

Weight Limitation Inc. ULD Tare Weight

11,340 kg

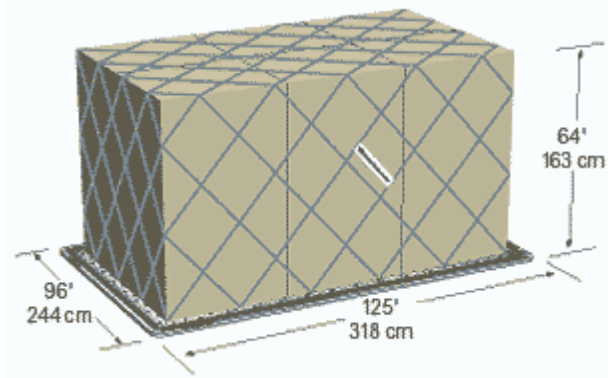
Tare Weight

480 kg

Loadable Aircraft Type

747F

PMC, PQP, P6P Pallet



Size

Base: 96" x 125" Height: 64" (Passenger flight),
96" (Q6 Contour) , 118" (Q7 Contour)

Weight Limitation Inc. ULD Tare Weight

11,340 kg

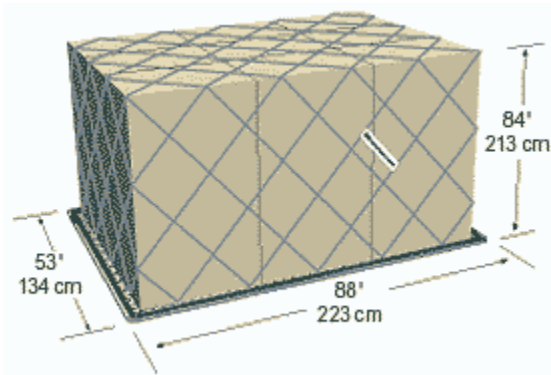
Tare Weight

480 kg

Loadable Aircraft Type

747F

PEB Pallet



Size

Base: 53" x 88" Height: 84"

Weight Limitation Inc. ULD Tare Weight

1,800 kg (B-HIH - 1,300 kg)

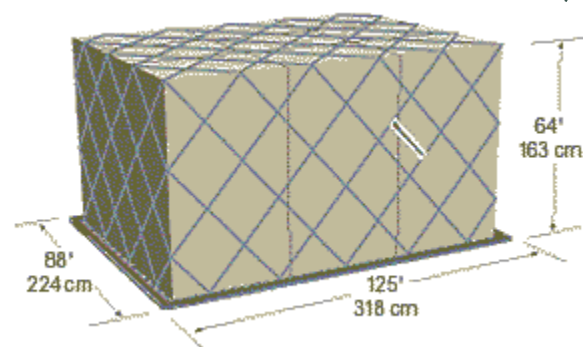
Tare Weight

55 kg

Loadable Aircraft Type

747F

P1P, PAG Pallet



Size

Base: 88" x 125" Height: 64" (Passenger flight),
96" (Q6 Contour) , 118" (Q7 Contour)

Weight Limitation Inc. ULD Tare Weight

4,626 kg (LD) , 6,033 kg

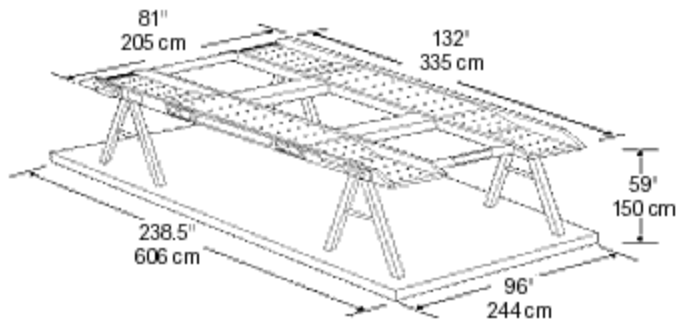
Tare Weight

105 kg

Loadable Aircraft Type

747, 747F, 777, Airbus

VZA, VRA



Size

Fitted on PGA 20ft. Pallet

Weight Limitation Inc. ULD Tare Weight

2,500 kg (Upper Car) 9,300 kg (Max Gross Weight of Pallet)

Tare Weight

319 kg (2 trestles: 139 kg Platform: 180 kg)

Loadable Aircraft Type

747F Upper Deck

Max Width for Lower Car

81" / 205 cm

Max Center Height for Lower Car

59" / 150 cm

Max Wheel Base

123" / 312 cm

Container Specifications - Ocean containers (English)

Standard Containers



	Standard 20'	Standard 40'
Inside Length	19'4" / 5.900m	39'5" / 12.036m
Inside Width	7'8" / 2.350m	7'8" / 2.350m
Inside Height	7'10" / 2.393m	7'10" / 2.392m
Door Width	7'8" / 2.342m	7'8" / 2.340m
Door Height	7'6" / 2.280m	7'6" / 2.280m
Capacity	1,172CuFt / 33.2CBM	2,390CuFt / 67.7CBM
Tare Weight	4,916lbs / 2,230Kg	8,160lbs / 3,700Kg
Maxi Cargo	47,900lbs / 21,770Kg	59,040lbs / 26,780Kg

Opentop Containers



	Opentop 20'	Opentop 40'
Inside Length	19'4" / 5.894m	39'5" / 12.028m
Inside Width	7'7" / 2.311m	7'8" / 2.350m
Inside Height	7'8" / 2.354m	7'8" / 2.345m
Door Width	7'6" / 2.286m	7'8" / 2.341m
Door Height	7'2" / 2.184m	7'5" / 2.274m
Capacity	1,136CuFt / 32.23CBM	2,350CuFt / 65.5CBM
Tare Weight	5,280lbs / 2,400Kg	8,490lbs / 3,850Kg
Maxi Cargo	47,620lbs / 21,600Kg	58,710lbs / 26,630Kg

Flatrack Containers



	Flatrack 20'	Flatrack 40'
Inside Length	18'5" / 5.620m	39'7" / 12.080m
Inside Width	7'3" / 2.200m	6'10" / 2.438m
Inside Height	7'4" / 2.233m	6'5" / 2.103m
Door Width	- / -	- / -
Door Height	- / -	- / -
Capacity	- / -	- / -
Tare Weight	5,578lbs / 2,530Kg	12,081lbs / 5,480Kg
Maxi Cargo	47,333lbs / 21,470Kg	85,800lbs / 39,000Kg

Flatrack Collapsible Containers



	Collapsible 20'	Collapsible 40'
Inside Length	18'6" / 5.618m	39'7" / 12.080m
Inside Width	7'3" / 2.208m	6'10" / 2.126m
Inside Height	7'4" / 2.233m	6'5" / 2.043m
Door Width	- / -	- / -
Door Height	- / -	- / -
Capacity	- / -	- / -
Tare Weight	6,061lbs / 2,750Kg	12,081lbs / 5,800Kg
Maxi Cargo	61,117lbs / 17,730Kg	85,800lbs / 39,000Kg

Reefer Containers



	Reefer 20'	Reefer 40'
Inside Length	17'8" / 5.425m	37'8" / 11.493m
Inside Width	7'5" / 2.275m	7'5" / 2.270m
Inside Height	7'5" / 2.260m	7'2" / 2.197m
Door Width	7'5" / 2.258m	7'5" / 2.282m
Door Height	7'3" / 2.216m	7'0" / 2.155m
Capacity	1,000CuFt / 28.3CBM	2,040CuFt / 57.8CBM
Tare Weight	7,040lbs / 3,200Kg	10,780lbs / 4,900Kg
Maxi Cargo	45,760lbs / 20,800Kg	56,276lbs / 25,580Kg

High Cube Containers



Platform Containers



	High Cube 40'	Reefer Highcube 40''
Inside Length	39'5" / 12.036m	37'11" / 11.557m
Inside Width	7'8" / 2.350m	7'6" / 2.294m
Inside Height	8'10" / 2.697m	8'2" / 2.500m
Door Width	7'8" / 2.338m	7'6" / 2.294m
Door Height	8'5" / 2.338m	8'0" / 2.440m
Capacity	2,694CuFt / 76.3CBM	2,344CuFt / 66.6CBM
Tare Weight	8,750lbs / 3,970Kg	9,900lbs / 4,500Kg
Maxi Cargo	58,450lbs / 26,510Kg	57,761lbs / 25,980Kg
	Platform 20'	Platform 40'
Inside Length	19'11" / 6.058m	40'0" / 12.180m
Inside Width	8'0" / 2.438m	8'0" / 2.400m
Inside Height	7'4" / 2.233m	6'5" / 1.950m
Door Width	- / -	- / -
Door Height	- / -	- / -
Capacity	- / -	- / -
Tare Weight	6,061lbs / 2,750Kg	12,783lbs / 5,800Kg
Maxi Cargo	52,896lbs / 24,000Kg	86,397lbs / 39,200Kg